

**GENERAL NOTES:**

- ALL FASTENERS SHALL BE IN ACCORDANCE WITH THESE DRAWINGS. SPECIFIED ANCHOR EMBED TO BASE MATERIAL SHALL BE BEYOND WALL FINISH OR STUCCO.
- OPENINGS, BUCKING & BUCKING FASTENERS MUST BE PROPERLY DESIGNED & INSTALLED TO TRANSFER WIND LOADS TO THE STRUCTURE.
- THESE LARGE MISSILE IMPACT RATED PRODUCT INSTALLATIONS ARE IN ACCORDANCE WITH AND MEET THE REQUIREMENTS OF THE FLORIDA BUILDING CODE (FBC).
- ALL ANCHORS SECURING PRODUCT FRAMES TO PRESSURE TREATED BUCKS OR WOOD FRAMING SHALL BE CAPABLE OF RESISTING CORROSION CAUSED BY THE PRESSURE TREATING CHEMICALS IN THE WOOD.
- MATERIALS, INCLUDING BUT NOT LIMITED TO STEEL SCREWS, THAT COME INTO CONTACT WITH OTHER DISSIMILAR MATERIALS SHALL MEET THE REQUIREMENTS OF FLORIDA BUILDING CODE CHAPTER 20.
- TO THE BEST OF OUR KNOWLEDGE, THE PRODUCT SHOWN HEREIN IS CERTIFIED & QUALITY ASSURED BY A FLORIDA STATE APPROVED CERTIFICATION/QA ENTITY & SHALL BE LABELED IN ACCORDANCE WITH THE FBC AND THE FLORIDA DEPARTMENT OF BUSINESS & PROFESSIONAL REGULATION SPECIFICATIONS. PRODUCT ASSEMBLY IS NOT PART OF THIS DRAWING AND SHALL BE IN ACCORDANCE WITH THE MANUFACTURER'S QUALITY ASSURANCE SPECIFICATIONS & TESTING REPORTS.
- CERTIFICATION OF THESE PRODUCT INSTALLATIONS SHALL BE CONSIDERED VOID IF ANY OF THE FOLLOWING APPLY: 1) PRODUCT IS INSTALLED WITHOUT A BUILDING PERMIT FROM THE APPLICABLE LOCAL BUILDING DEPARTMENT. 2) PRODUCT IS INSTALLED BY ANYONE OTHER THAN A LICENSED CONTRACTOR EXPERIENCED WITH INSTALLATIONS OF THIS TYPE OF PRODUCT. 3) IF CHANGES HAVE OCCURRED TO THE PRODUCT'S CERTIFICATION ENTITY'S CERTIFICATE THAT CAUSE THESE INSTALLATIONS TO BE INCORRECT OR INCONSISTENT WITH WHAT HAS BEEN TESTED.
- THE LEAST DESIGN PRESSURE SPECIFIED EITHER IN THIS DRAWING OR IN THE PRODUCTS CERTIFICATION SHALL CONTROL FOR THE INSTALLED PRODUCT.
- THESE DRAWINGS CERTIFY THE PRODUCT INSTALLATION ONLY. WATER PROOFING OF THE INSTALLED PRODUCT IS NOT PART OF THIS INSTALLATION CERTIFICATION. THAT RESPONSIBILITY SHALL BE THAT OF THE MANUFACTURER &/OR INSTALLER.

**ANCHOR/SUBSTRATE EVALUATION NOTE:**

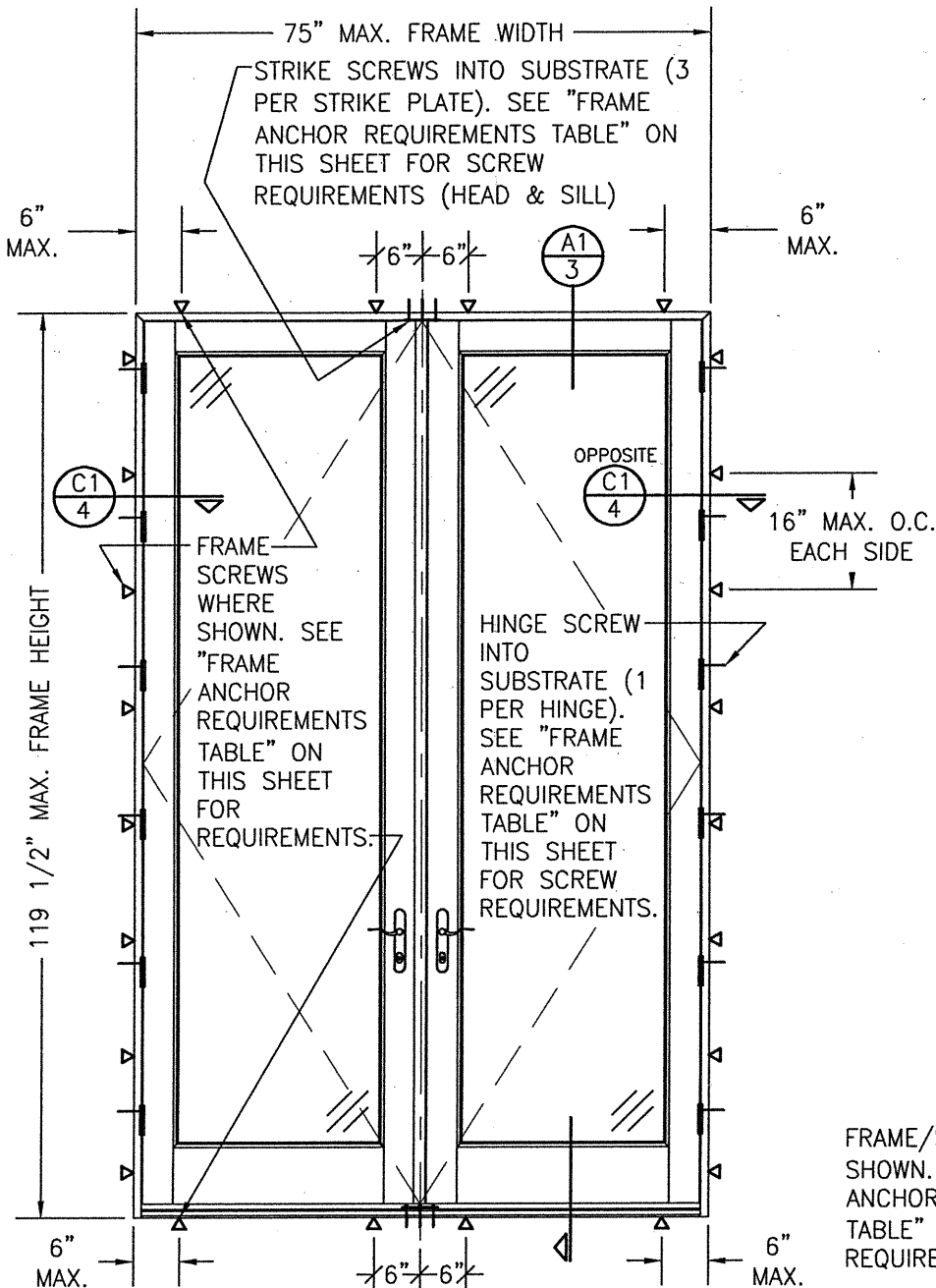
ALL ANCHORS IN THEIR SPECIFIED SUBSTRATES HAVE BEEN ANALYZED IN ACCORDANCE WITH THEIR APPLICABLE STANDARD(S) AND ARE FOUND TO BE CAPABLE OF SUPPORTING ALL LOADS IMPOSED ON THEM UNDER THE GUIDELINES OF THIS DOCUMENT. ANY SUBSTRATES OR CONDITIONS OUTSIDE OF WHAT IS SHOWN HERE-IN SHALL BE SUBJECT TO JOB SPECIFIC ENGINEER'S REVIEW & CERTIFICATION.

INSTALLATION EVALUATION IS BASED ON APPLICABLE ANCHOR STANDARDS AND/OR INFORMATION & RESULTS FROM APPLICABLE TEST REPORTS. THE FLORIDA BUILDING CODE VERSION CONSIDERED WITH THE EVALUATION WAS THAT IN FORCE AT THE TIME OF THE EVALUATION. IN THE EVENT OF CODE VERSION CHANGES/UPDATES OR IN THE EVENT THAT NEW OR ADDITIONAL TESTING IS COMPLETED ON THE REFERENCED PRODUCT, PRIOR TO STATING CODE COMPLIANCE WITH THE STATE, THE MANUFACTURER SHALL CONFIRM WITH THE INSTALLATION EVALUATION ENGINEER OF RECORD THAT THE INSTALLATIONS SPECIFIED HERE-IN ARE CURRENT WITH THE THEN CURRENT TESTING, CODE AND APPLICABLE STANDARDS.

**FRAME ANCHOR REQUIREMENTS TABLE**

OPENING TYPE (SUBSTRATE)	FRAME/CLIP/ TO OPENING FASTENER TYPE	MINIMUM EMBED	MINIMUM EDGE DIST.
<b>FRAME/SILL SCREWS</b>			
(2) MIN. 2X6 WOOD FRAME OR BUCK (MIN. GR. 3 & G=0.55)	NO. 10 SMS OR WOOD SCREW	1 1/4"	3/4"
MIN. 18 GA. 33 KSI METAL STUD	NO. 10 GR. 5 SELF TAP/DRILL SCREW	FULL	1/2"
MIN. 1/8" THK A36 STEEL	NO. 10 GR. 5 SELF TAP/DRILL SCREW	FULL	1/2"
MIN. 1/8" THK 6063-T5 ALUM.	NO. 10 GR. 5 SELF TAP/DRILL SCREW	FULL	1/2"
C-90 CMU/2500 PSI CONCRETE	(1) 1/4" CONCRETE SCREW	1 1/4"	2"
<b>INSTALLATION CLIP SCREWS</b>			
MIN. 2X6 WOOD FRAME OR BUCK (MIN. GR. 3 & G=0.55)	NO. 8 X 1 1/2" SMS	1 3/8"	3/4"
MIN. 18 GA. 33 KSI METAL STUD	NO. 8 GR. 5 SELF TAP/DRILL SCREW	FULL	1/2"
MIN. 1/8" THK A36 STEEL	NO. 8 GR. 5 SELF TAP/DRILL SCREW	FULL	1/2"
MIN. 1/8" THK 6063-T5 ALUM.	NO. 8 GR. 5 SELF TAP/DRILL SCREW	FULL	1/2"
<b>HINGE &amp; STRIKE SCREWS</b>			
(2) MIN. 2X6 WOOD FRAME OR BUCK (MIN. GR. 3 & G=0.55)	NO. 8 SMS OR WOOD SCREW	1 1/4"	3/4"
MIN. 18 GA. 33 KSI METAL STUD	NO. 8 GR. 5 SELF TAP/DRILL SCREW	FULL	1/2"
MIN. 1/8" THK A36 STEEL	NO. 8 GR. 5 SELF TAP/DRILL SCREW	FULL	1/2"
MIN. 1/8" THK 6063-T5 ALUM.	NO. 8 GR. 5 SELF TAP/DRILL SCREW	FULL	1/2"
C-90 CMU/2500 PSI CONCRETE	(1) 3/16" CONCRETE SCREW	1 1/2"	2"

- CONCRETE SCREWS SHALL BE ELCO ULTRACONS, ELCO CRETE-FLEX, ITW RAMSET/RED HEAD TAPCONS OR HILTI KWIK-CON II (HARDENED STEEL OR S.S.).
- 2X6 BUCKS MAY BE RIPPED DOWN TO MIN 4 1/4" DEPTH EXCEPT WHEN THE INSTALLATION CLIP CONDITION APPLIES.



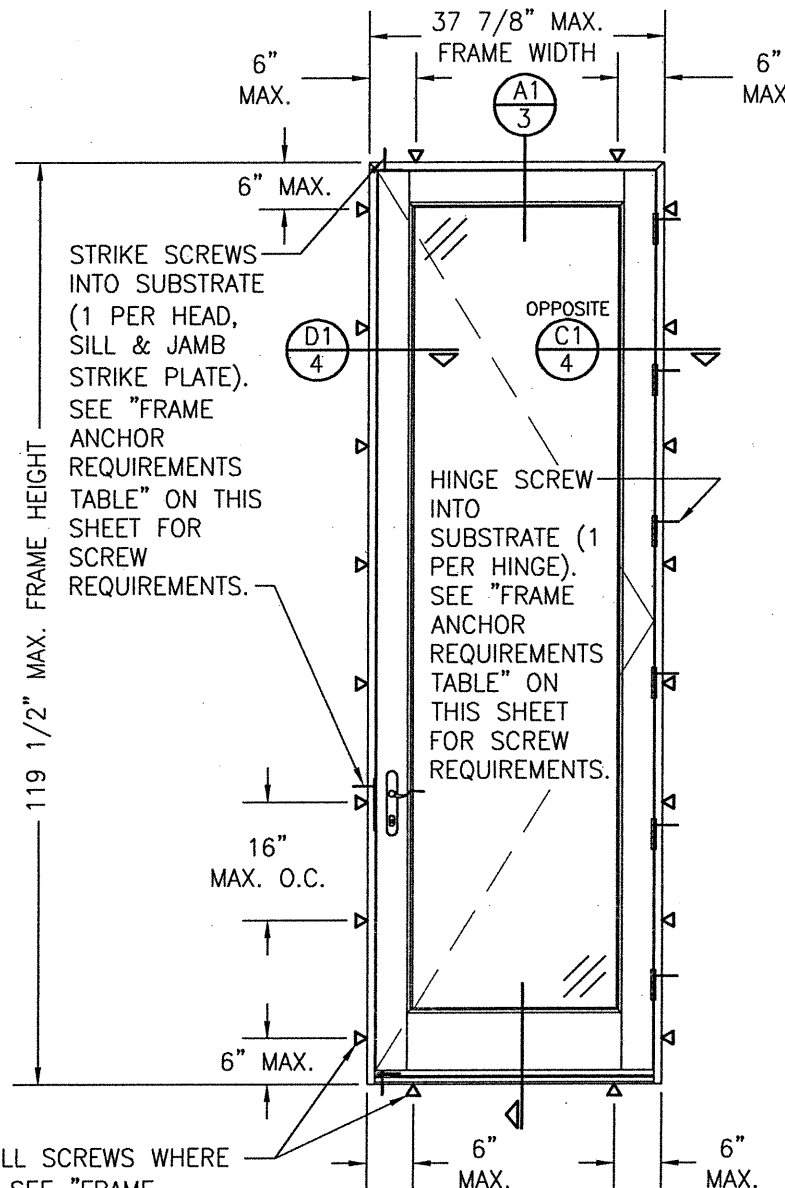
**INTERIOR ELEVATION:  
DOUBLE RECTANGULAR DOOR**

SCALE: 1/2" = 1'-0"  
(FRAME SCREW MOUNT CONDITION)

EDGE DISTANCE MAY BE DECREASED TO 1/2" IF SCREWS ARE ANGLED 15 TO 20 DEGREES AWAY FROM THE EDGE.

**HINGE REQUIREMENTS**

MAX. FRAME HEIGHT	QUANTITY PER PANEL
119.5"	6
107.875"	5
99.375"	4
83.875"	3



**INTERIOR ELEVATION:  
SINGLE RECTANGULAR DOOR**

SCALE: 1/2" = 1'-0"  
(FRAME SCREW MOUNT CONDITION)

**ALLOWABLE DESIGN PRESSURE**

MAX. FRAME WIDTH (IN.)	MAX. FRAME HEIGHT (IN.)	ALLOWABLE PRESSURE	
		POSITIVE (PSF)	NEGATIVE (PSF)
<b>DOUBLE OPERABLE DOORS</b>			
75	119 1/2	40	40
75	95 1/2	55	55
<b>SINGLE OPERABLE DOORS</b>			
37 7/8	119 1/2	40	40
37 7/8	95 1/2	55	55
<b>FIXED PANEL DOORS</b>			
37 7/8	119 1/2	55	70

**INSTALLATION NOTE:**

WHEN NECESSARY, INSTALLATION METHODS MAY BE MIXED WITH ANY ONE DOOR SUCH THAT INDIVIDUAL SIDES OF THE DOOR MAY USE ONE OR THE OTHER ANCHOR METHOD (EXAMPLE: LEFT SIDE MAY USE CLIP METHOD WHILE OTHER SIDES USE FRAME SCREWS)

THESE DRAWINGS ARE APPLICABLE ONLY TO THE PRODUCT SPECIFIED. THEY MAY NOT BE USED FOR THE ASSEMBLY AND/OR INSTALLATION OF ANY OTHER PRODUCT NOR MAY THEY BE USED FOR RATIONAL AND/OR LOCAL APPROVAL OF ANY PRODUCT NOT PRODUCED BY THE MANUFACTURER STATED ON THESE DRAWINGS.

<b>DRAWN BY:</b> W.R.M.	<b>CHECKED BY:</b> W.W.S.	<b>DATE:</b> 11/24/10	<b>PLOT:</b> 1=24
<b>NO.</b>	<b>REVISION DESCRIPTION</b>	<b>DATE</b>	<b>BY</b>
A1	UPDATE TO CURRENT STANDARDS	12/20/11	W.R.M.
B1	UPDATE DESIGN PRESSURES	04/21/14	W.W.S.
C1	UPDATE TO CURRENT STANDARDS	05/17/18	W.W.S.
D1	UPDATE TO NEW TESTING	06/02/21	W.W.S.

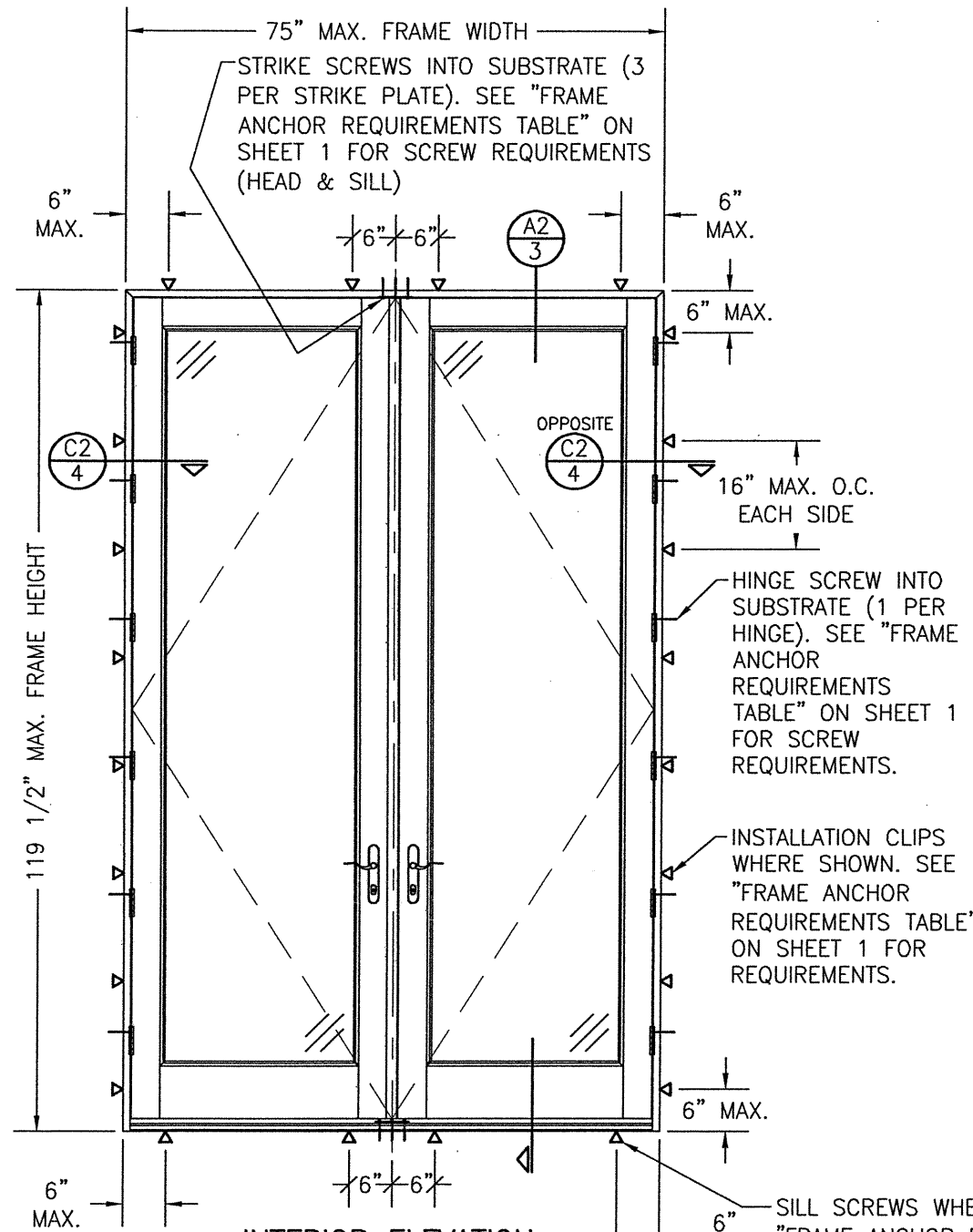
**DRAWING TITLE: PELLA ARCHITECT IMPACT WOOD IN-SWING DOOR INSTALLATIONS**

**CONSULTANTS**  
W. W. SCHAEFER ENGINEERING & CONSULTING, P.A. (CA 6809)  
7480 150TH COURT NORTH  
PALM BEACH GARDENS, FL 33418  
PHONE: 561-744-3424

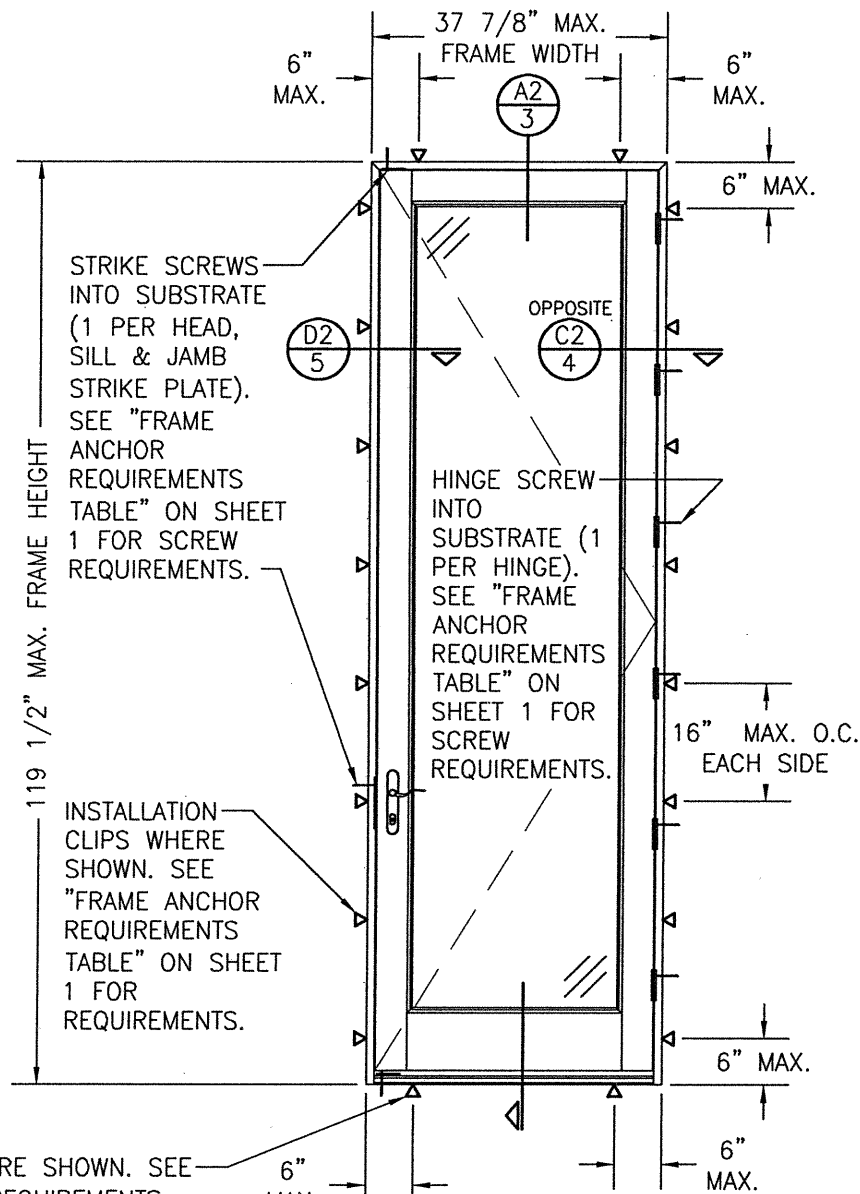
**MANUFACTURER**  
**PELLA CORPORATION**  
102 MAIN STREET  
PELLA, IA 50219

**CERTIFICATION**  
JUN 04 2011  
WARREN W. SCHAEFER, P.E.  
P.E. NO. 44135

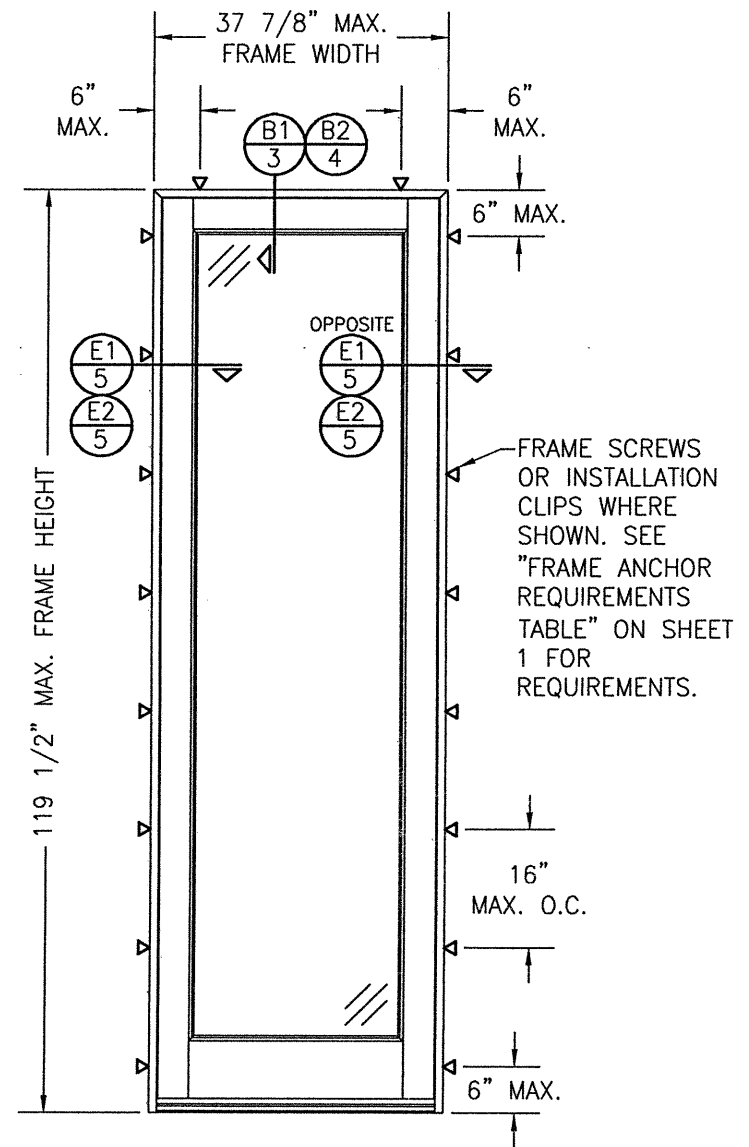
<b>DRAWING NO.</b> 1723	<b>REV.</b> D
<b>SHEET NO.</b> 1	<b>OF</b> 5



**INTERIOR ELEVATION:  
DOUBLE RECTANGULAR DOOR**  
SCALE: 1/2" = 1'-0"  
(CLIP MOUNT CONDITION)



**INTERIOR ELEVATION:  
SINGLE RECTANGULAR DOOR**  
SCALE: 1/2" = 1'-0"  
(CLIP MOUNT CONDITION)



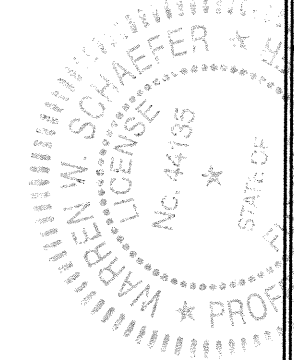
**INTERIOR ELEVATION:  
SINGLE FIXED PANEL**  
SCALE: 1/2" = 1'-0"  
(FRAME SCREW OR CLIP MOUNT CONDITION)

DRAWN BY: W.R.M.	CHECKED BY: W.W.S.
PLDT: 1=24	DATE: 11/24/10
NO.	DATE
BY	
REVISION DESCRIPTION	

DRAWING TITLE: **PELLA ARCHITECT IMPACT WOOD IN-SWING DOOR INSTALLATIONS**

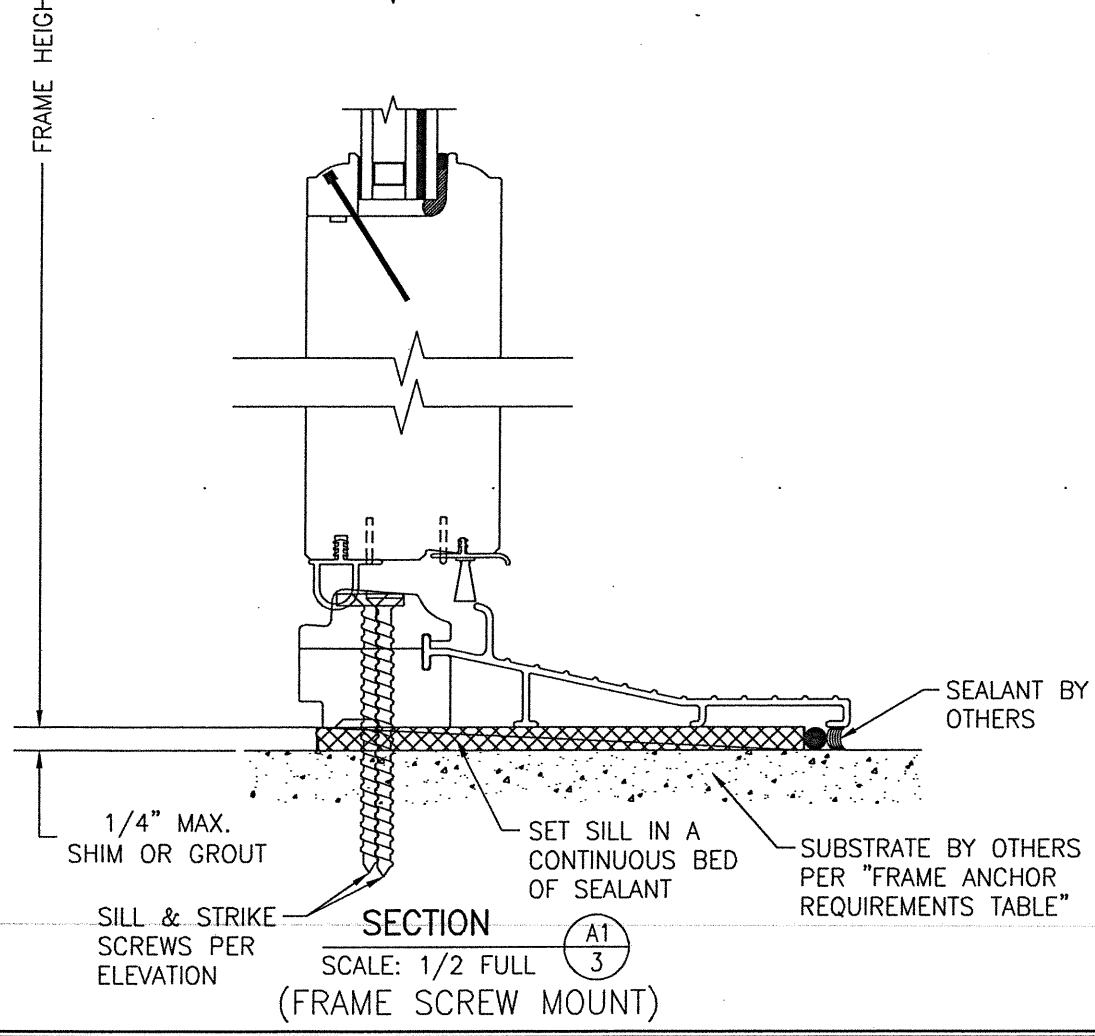
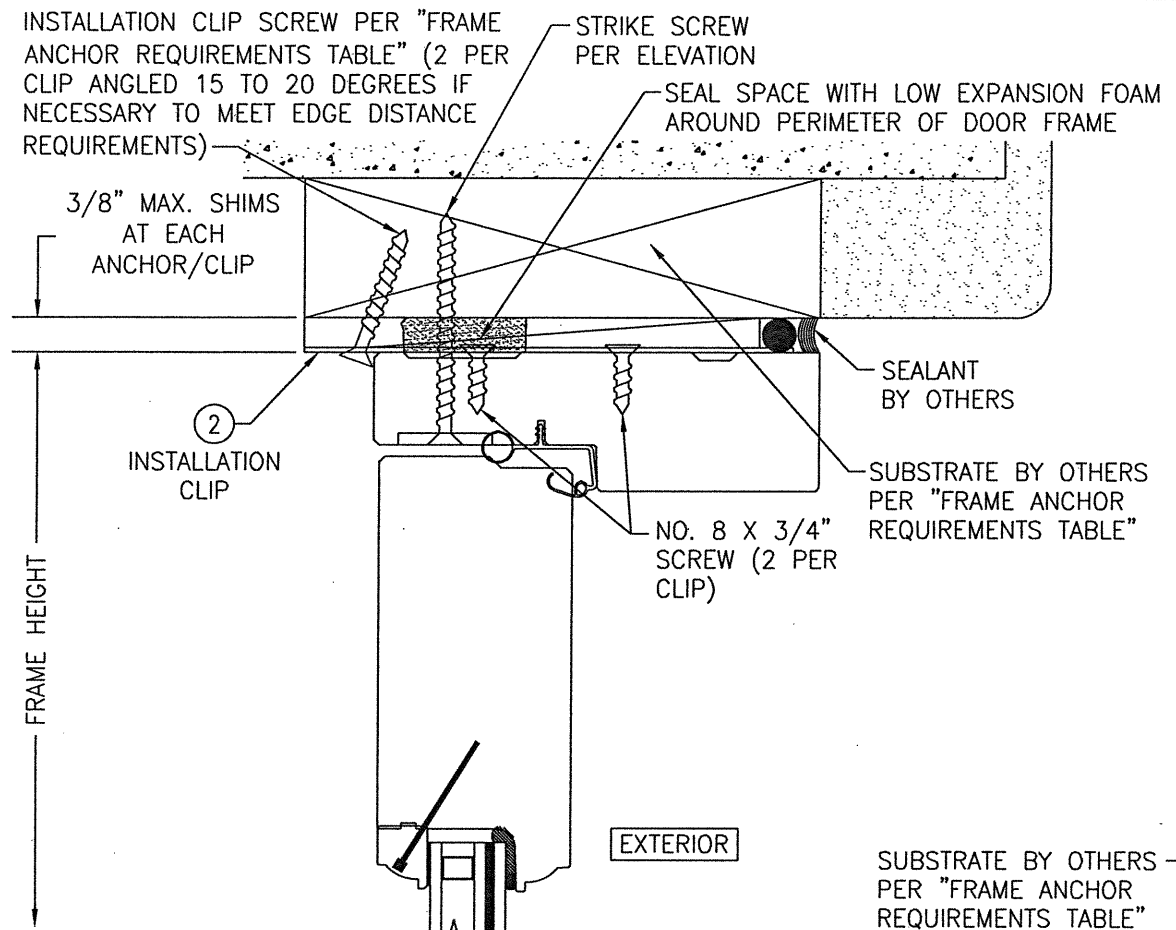
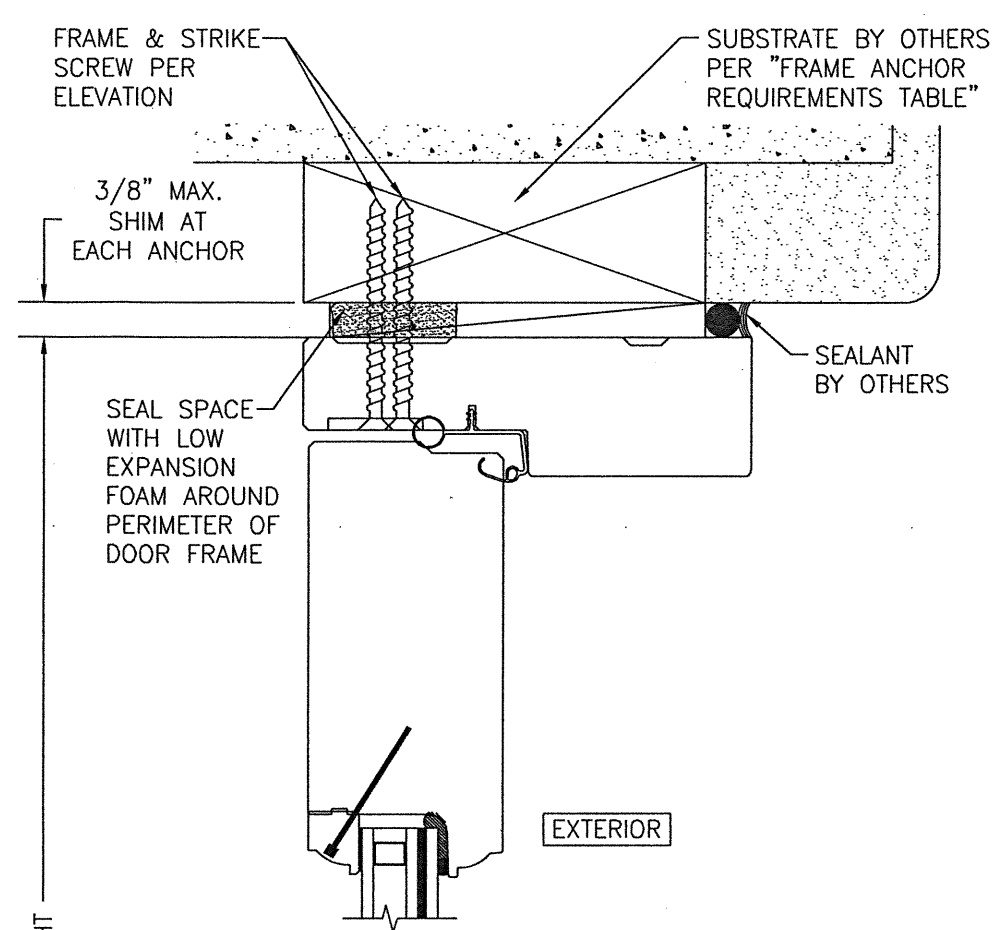
CONSULTANTS:  
**W. W. SCHAEFER ENGINEERING & CONSULTING, P.A. (CA 6809)**  
7480 150TH COURT NORTH  
PALM BEACH GARDENS, FL 33418  
PHONE: 561-744-3424

MANUFACTURER:  
**PELLA CORPORATION**  
102 MAIN STREET  
PELLA, IA 50219  
641-621-1000

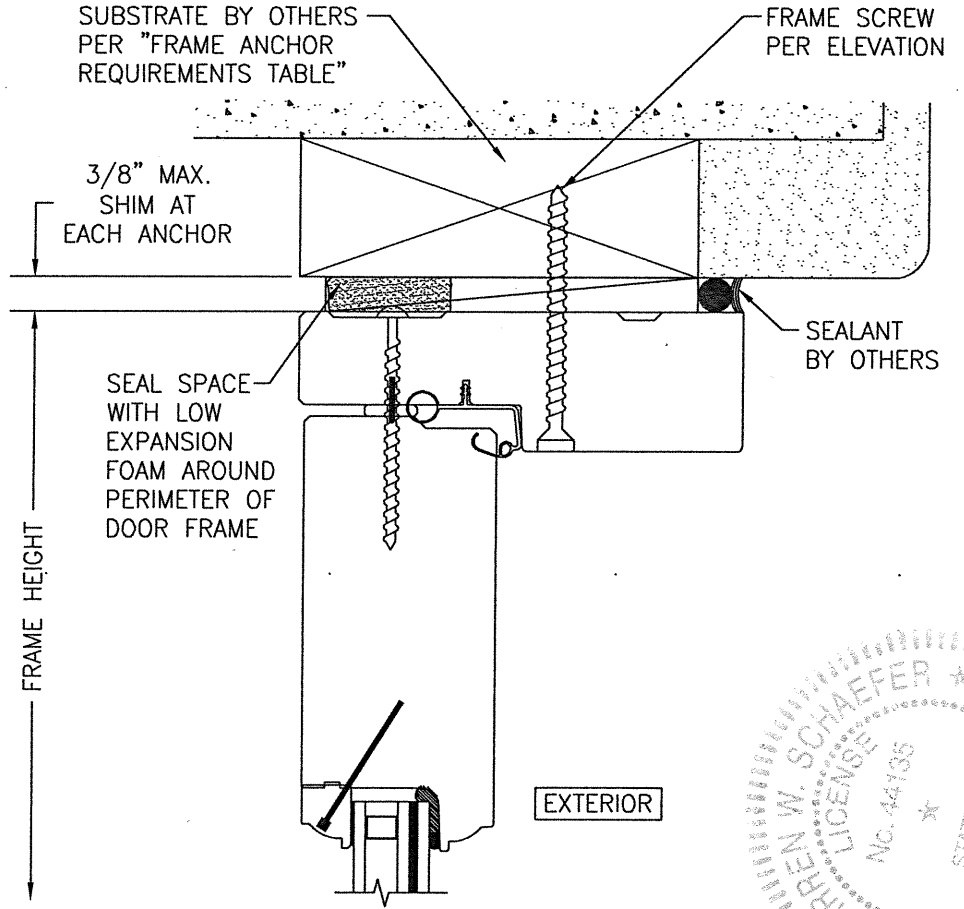


CERTIFICATION  
PROFESSIONAL ENGINEER  
**JUN 04 2021**  
WARREN W. SCHAEFER, P.E.  
P.E. NO. 44135

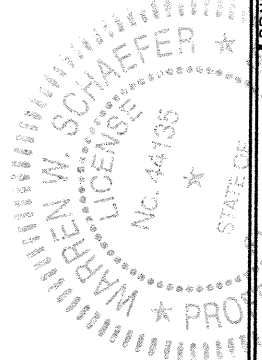
DRAWING NO. <b>1723</b>	REV. <b>D</b>
SHEET NO. <b>2 OF 5</b>	



SECTION A2/3  
 SCALE: 1/2 FULL  
 (CLIP MOUNT)  
 (HEAD ONLY SHOWN. FOR SILL SECTION SEE SECTION A1/3.)



SECTION B1/3  
 SCALE: 1/2 FULL  
 (FRAME SCREW MOUNT)



DRAWN BY: W.R.M.		CHECKED BY: W.W.S.	
PLOT: 1=2		DATE: 11/27/10	
DATE	BY	REVISION DESCRIPTION	NO.
DRAWING TITLE PELLA ARCHITECT IMPACT WOOD IN-SWING DOOR INSTALLATIONS			
CONSULTANTS W. W. SCHAEFER ENGINEERING & CONSULTING, P.A. (CA 6809) 7480 150TH COURT NORTH PALM BEACH GARDENS, FL 33418 PHONE: 561-744-3424		MANUFACTURER PELLA CORPORATION 102 MAIN STREET PELLA, IA 50219 641-621-1000	
CERTIFICATION JUN 04 2021		WARREN W. SCHAEFER, P.E. P.E. NO. 44135	
DRAWING NO. 1723		REV. D	
SHEET NO. 3 OF 5			

INSTALLATION CLIP SCREW PER "FRAME ANCHOR REQUIREMENTS TABLE" (2 PER CLIP ANGLED 15 TO 20 DEGREES IF NECESSARY TO MEET EDGE DISTANCE REQUIREMENTS)

3/8" MAX. SHIM NEXT TO EACH CLIP

SEAL SPACE WITH LOW EXPANSION FOAM AROUND PERIMETER OF DOOR FRAME

② INSTALLATION CLIP

SUBSTRATE BY OTHERS PER "FRAME ANCHOR REQUIREMENTS TABLE"

NO. 8 X 3/4" SCREW (2 PER CLIP)

EXTERIOR

FRAME HEIGHT

SUBSTRATE BY OTHERS PER "FRAME ANCHOR REQUIREMENTS TABLE"

FRAME & HINGE SCREW PER ELEVATION

SEALANT BY OTHERS

EXTERIOR

SEAL SPACE WITH LOW EXPANSION FOAM AROUND PERIMETER OF DOOR FRAME

3/8" MAX. SHIM AT EACH ANCHOR

FRAME WIDTH

SECTION C1

SCALE: 1/2 FULL 4  
(FRAME SCREW MOUNT)

SECTION B2  
SCALE: 1/2 FULL 4  
(CLIP MOUNT)

SUBSTRATE BY OTHERS PER "FRAME ANCHOR REQUIREMENTS TABLE"

SEALANT BY OTHERS

NO. 8 X 3/4" SCREW (2 PER CLIP)

EXTERIOR

HINGE SCREW PER ELEVATION

SEAL SPACE WITH LOW EXPANSION FOAM AROUND PERIMETER OF DOOR FRAME

INSTALLATION CLIP SCREW PER "FRAME ANCHOR REQUIREMENTS TABLE" (2 PER CLIP ANGLED 15 TO 20 DEGREES IF NECESSARY TO MEET EDGE DISTANCE REQUIREMENTS)

② INSTALLATION CLIP

3/8" MAX. SHIM AT EACH ANCHOR/CLIP

FRAME WIDTH

SECTION C2

SCALE: 1/2 FULL 4  
(CLIP MOUNT)

SUBSTRATE BY OTHERS PER "FRAME ANCHOR REQUIREMENTS TABLE"

SEALANT BY OTHERS

EXTERIOR

SEAL SPACE WITH LOW EXPANSION FOAM AROUND PERIMETER OF DOOR FRAME

FRAME & STRIKE SCREW PER ELEVATION

3/8" MAX. SHIM AT EACH ANCHOR

FRAME WIDTH

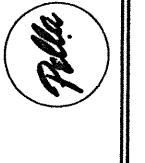
SECTION D1

SCALE: 1/2 FULL 4  
(FRAME SCREW MOUNT)

DRAWN BY: W.R.M.	CHECKED BY: W.W.S.
PLOT: 1-2	DATE: 11/27/10
DATE	
BY	
REVISION DESCRIPTION	
NO.	

DRAWING TITLE: PELLA ARCHITECT IMPACT WOOD IN-SWING DOOR INSTALLATIONS

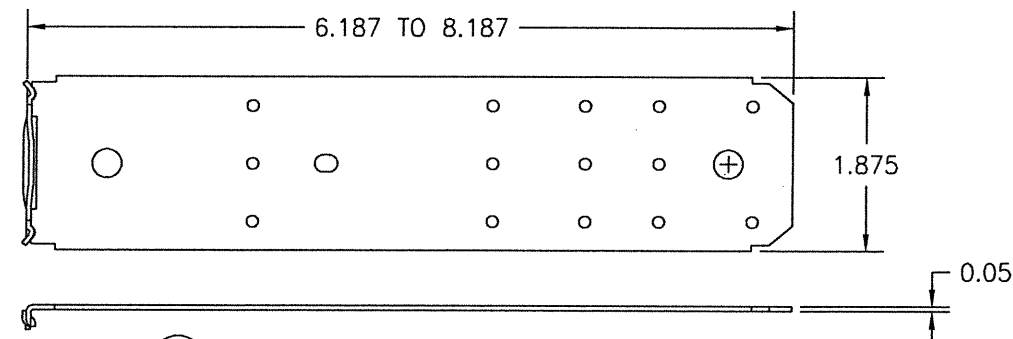
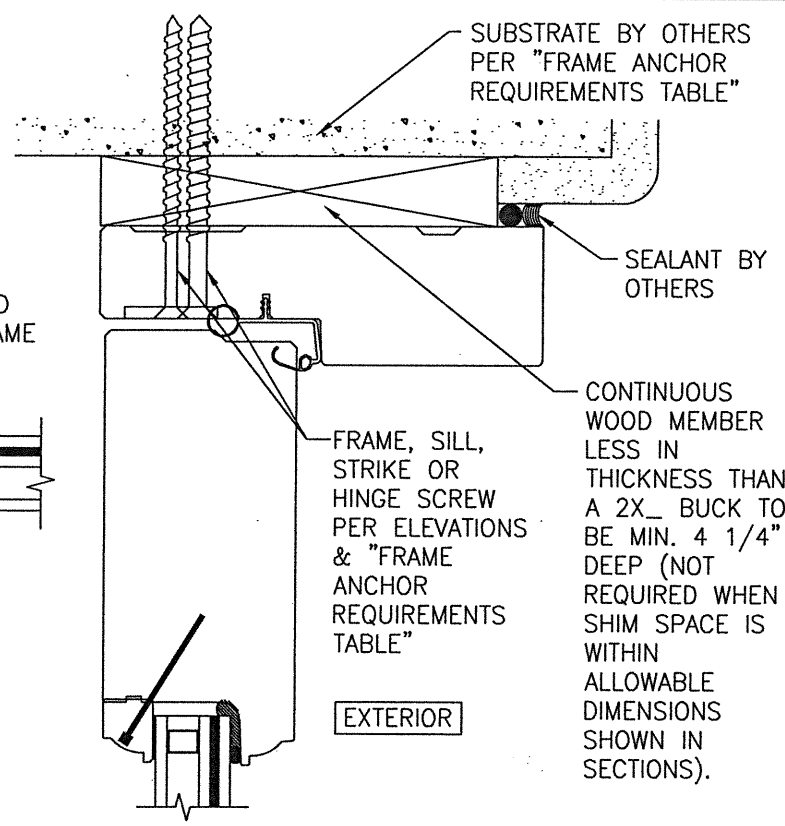
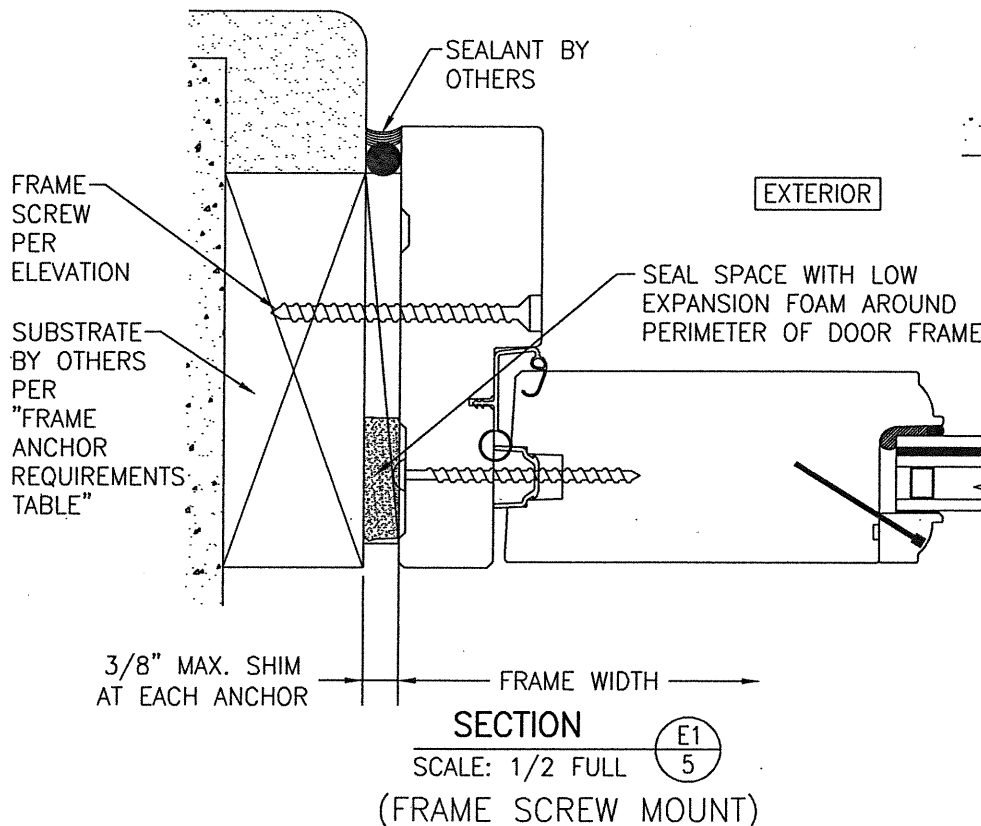
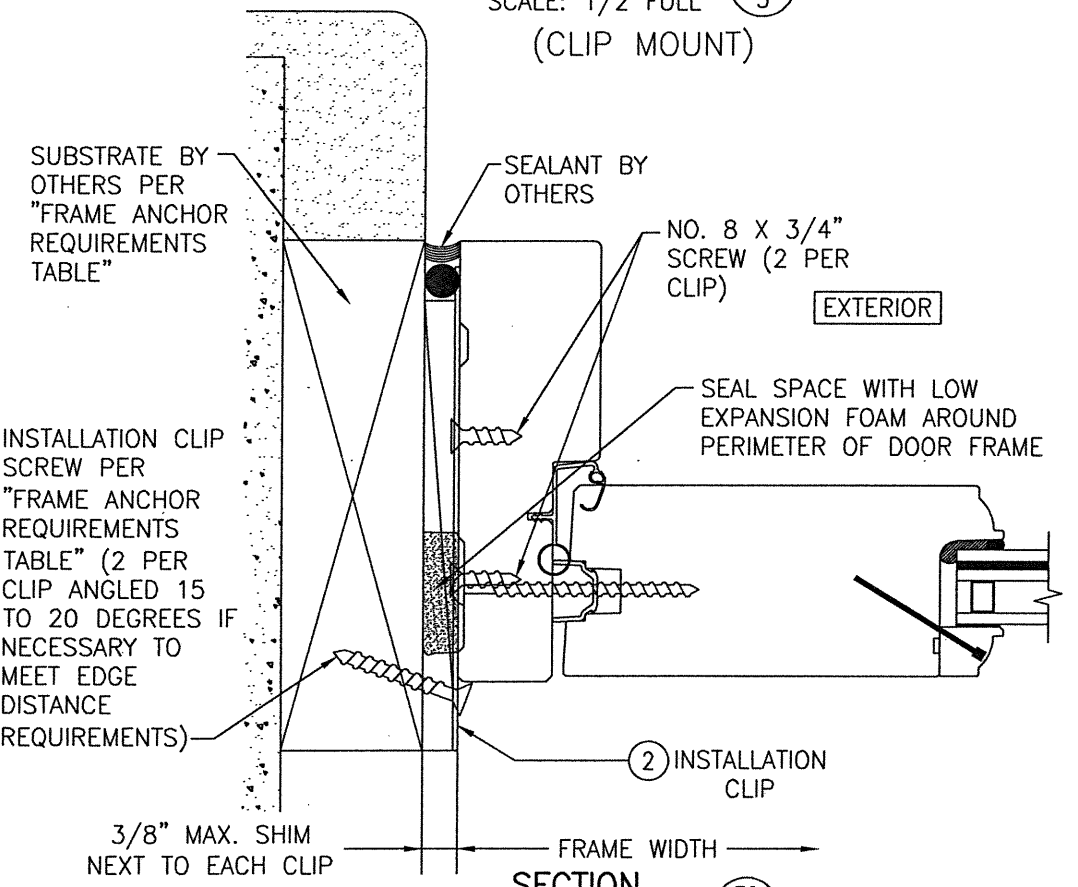
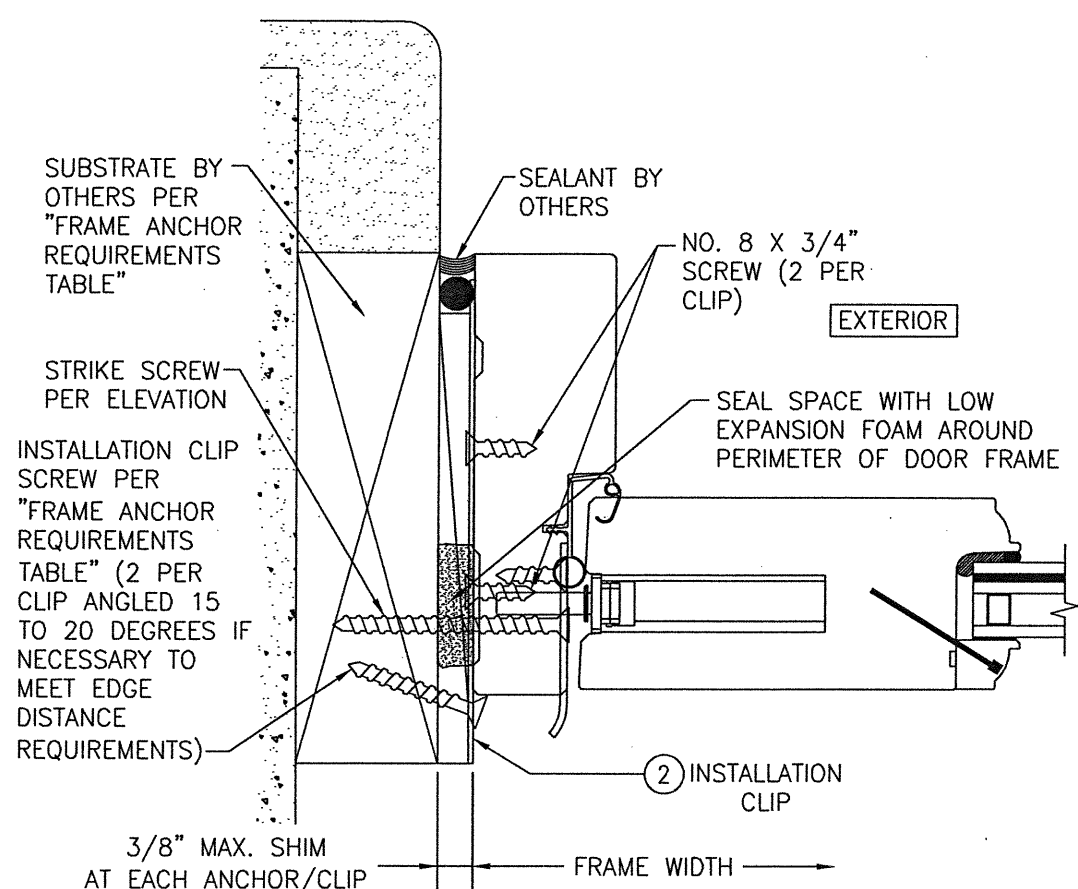
PELLA CORPORATION  
102 MAIN STREET  
PELLA, IA 50219  
641-621-1000



MANUFACTURER  
W. W. SCHAEFER ENGINEERING & CONSULTING, P.A. (CA 6809)  
7480 150TH COURT NORTH  
PALM BEACH GARDENS, FL 33418  
PHONE: 561-744-3424

CERTIFICATION  
WARREN W. SCHAEFER, P.E.  
P.E. NO. 44135  
JUN 04 2021

DRAWING NO. 1723	REV. D
SHEET NO. 4	OF 5



DRAWN BY: W.R.M.	CHECKED BY: W.W.S.
PLOT: 1=2	DATE: 11/27/10
DATE	
BY	
REVISION DESCRIPTION	
NO.	
DRAWING TITLE: PELLA ARCHITECT IMPACT WOOD IN-SWING DOOR INSTALLATIONS	
CONSULTANTS: PELLA CORPORATION 102 MAIN STREET PELLA, IA 50219 641-621-1000	
MANUFACTURER: Pella	
W. W. SCHAEFER ENGINEERING & CONSULTING, P.A. (CA 6809) 7480 150TH COURT NORTH PALM BEACH GARDENS, FL 33418 PHONE: 561-744-3424	
CERTIFICATION	WARREN W. SCHAEFER, P.E. P.E. NO. 44135
JUN 04 2021	
DRAWING NO. 1723	REV. D
SHEET NO. 5 OF 5	